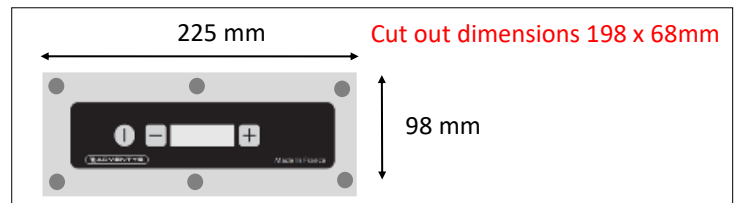
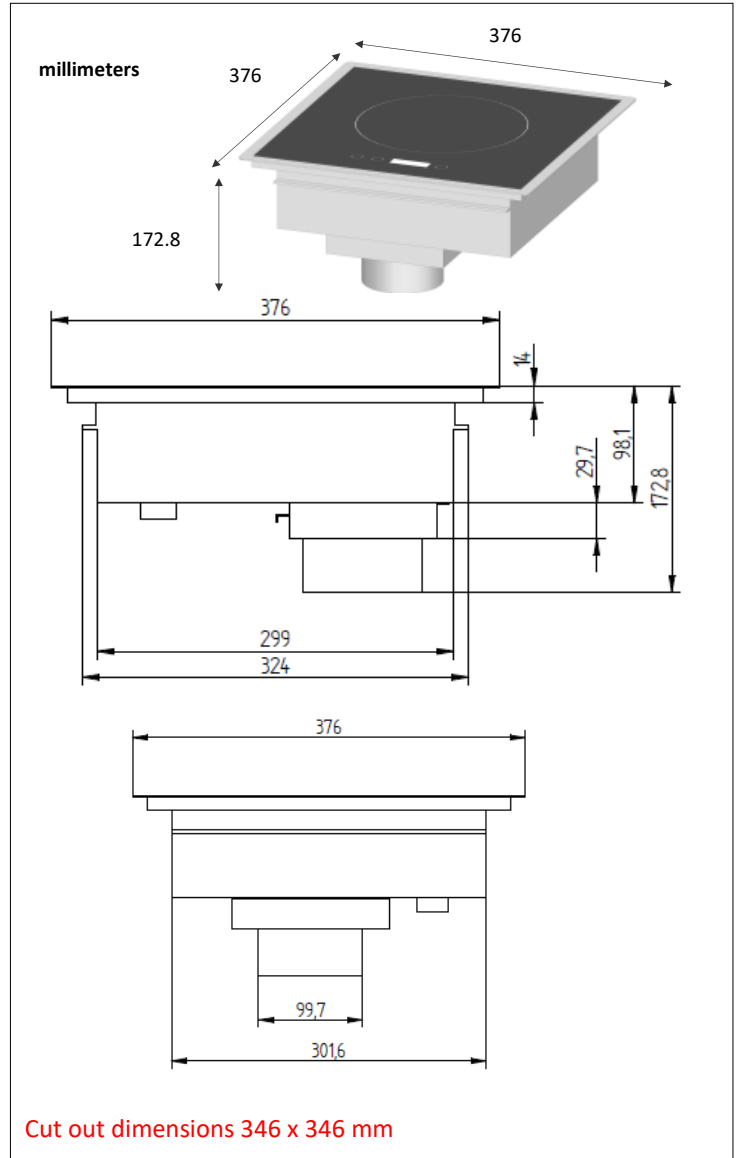


TECHNICAL FEATURES	
External structure	Stainless steel casing and vitroceramic glass
Dimensions	376x376mm
Power	650W
Cooking surface	376x376mm
Control panel	Capacitive touches Drop-in control panel with stainless steel frame 3 keys 4 digits display
Amp	3 A
Functions	On/Off, manual temperature setting (+/-) from 40° to 90° by 5°C steps.
Power supply	230 V ; 208/240 V ; AC 50 - 60 Hz
Weight	8 kg kg / 17,3 lbs.
Standards	Complies with European standards for safety of electrical appliances.
Details & Options	Including a power cord without plug and a washable filter (wash regularly). Including stainless steel frame to drop in client structure for flushed installation. Including 2M cable between control panel and generator



ADVENTYS
Route de Pagny - 21250 Seurre - France
www.adventys.com
sales@adventys.com
T: +33 3 80 20 46 15

Important note

Adventys reserves the right to modify specifications without notice.

